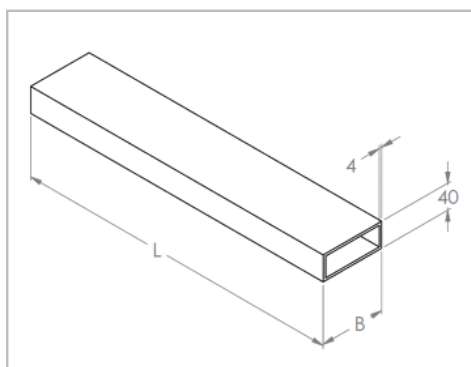


ALUMINUM PROFILES FOR LINTEL AND SIDE SPACE

Dear customer,

We would like to inform you about new articles in our range of spare parts. From 01/01/2016 we have available two new aluminum profiles 100 × 40 × 4 and 150 × 40 × 4 which are available in natural aluminum or painted according to RAL/NCS. The material thickness of 4 mm is sufficient for installation of our residential doors. Profiles are supplied according to ordered length. These articles are available only as spare parts and complete overview you can find in WEB catalogue of spare parts. Below mentioned prices are gross and are subject of discounts for spare parts.



OVERVIEW OF ALUMINUM PROFILES:

Surface finish	B [mm]	Length L [mm]	Article number	Gross price [EUR]
Natural aluminum	100 mm	0-3000	T09-010-60-0230	178
		3001-6000	T09-010-60-0231	356
	150 mm	0-3000	T09-010-60-0234	249
		3001-6000	T09-010-60-0235	498
RAL/NCS	100 mm	0-3000	T09-010-60-0232	285
		3001-6000	T09-010-60-0233	570
	150 mm	0-3000	T09-010-60-0236	356
		3001-6000	T09-010-60-0237	712

SPECIFICATION

- Easy construction of lintel and side space
- Installation of doors
- Installation in the tunnel
- Uniform colour with doors



If you have any questions about this Product Info, please contact the TOORS company.

www.toors.uk